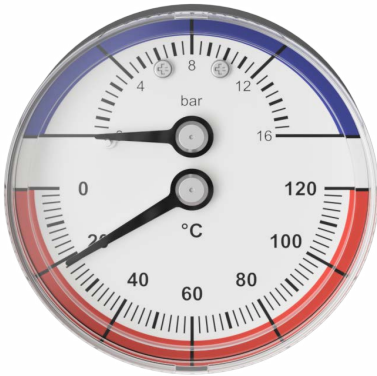


S3 Manifold – Thermomanometer

WHS-M-S3-GAUGE



Overview

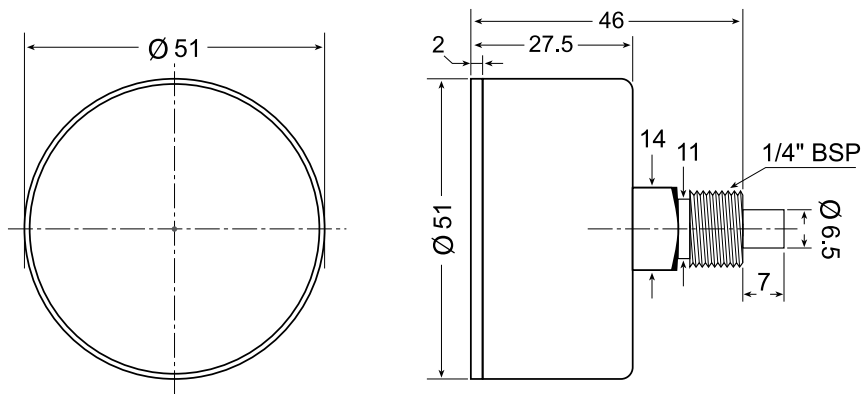
The thermomanometer, as part of the S3 Manifold, allows for convenient monitoring of temperature and pressure simultaneously, providing a comprehensive view of the system's performance.

This combined measurement capability assists installers and users in maintaining optimal operating conditions, making it easier to adjust settings and troubleshoot any potential issues.

Technical specifications

Pressure range	16 bar
Pressure accuracy	±2.5%
Temperature range	0 - 120°C
Temperature accuracy	±2%
System test pressure	max. 10 bar (20 °C)
Casing	Black steel case, chrome plated friction ring fixed with screws
Window	Glass
Face and pointer	Aluminium
Temperature element	Bimetal coil
Wetted parts	Copper tube and connection
Movement	Brass
Connection	Lower and back mount

Dimensions



Contact

Warmup plc

www.warmup.co.uk T: 0345 345 2288

uk@warmup.com F: 0345 345 2299

Warmup plc ■ 704 Tudor Estate ■ Abbey Road ■ London ■ NW10 7UW ■ UK

Warmup GmbH ■ Ottostraße 3 ■ 27793 Wildeshausen ■ DE

Warmup - TS - S3 Thermomanometer - V1.0 - 2023-05-03_EN

Warmup